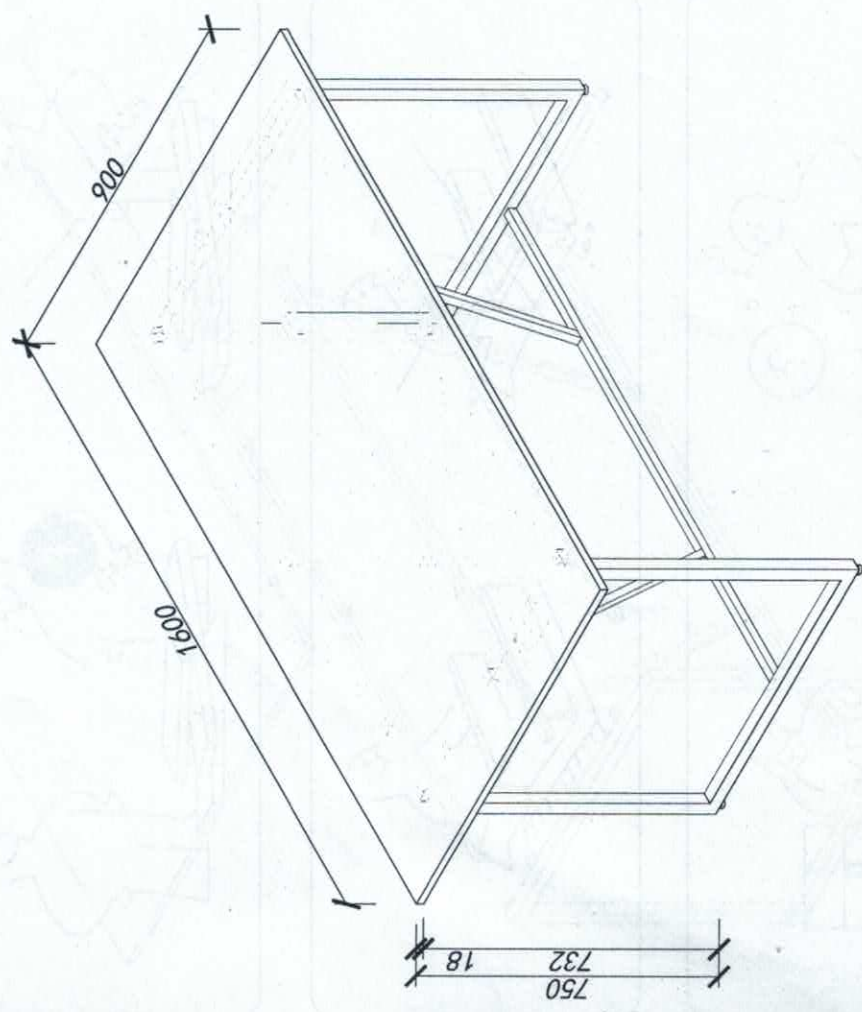
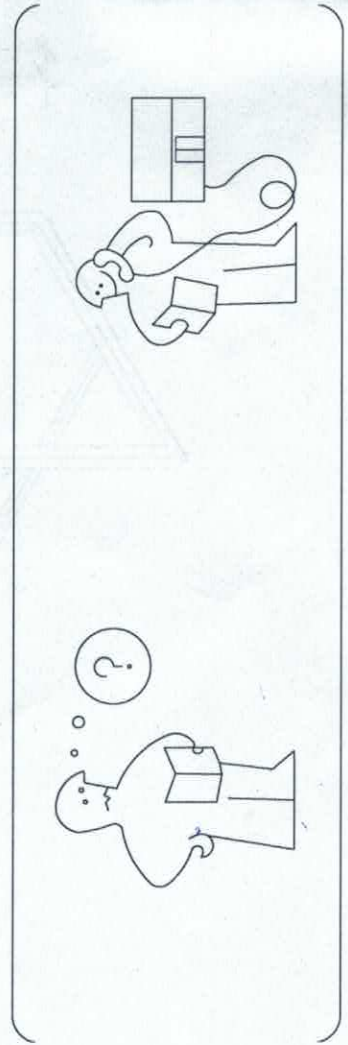
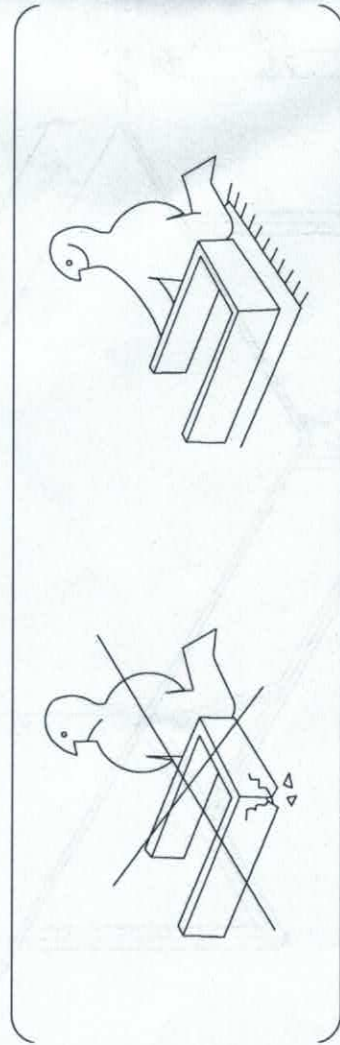
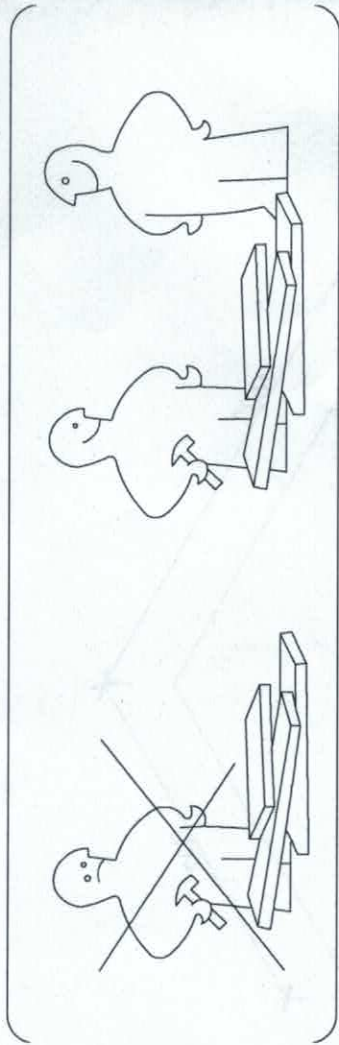
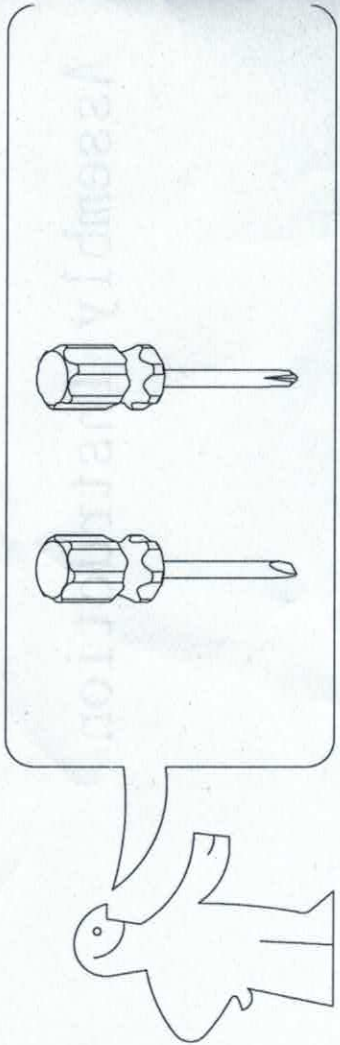
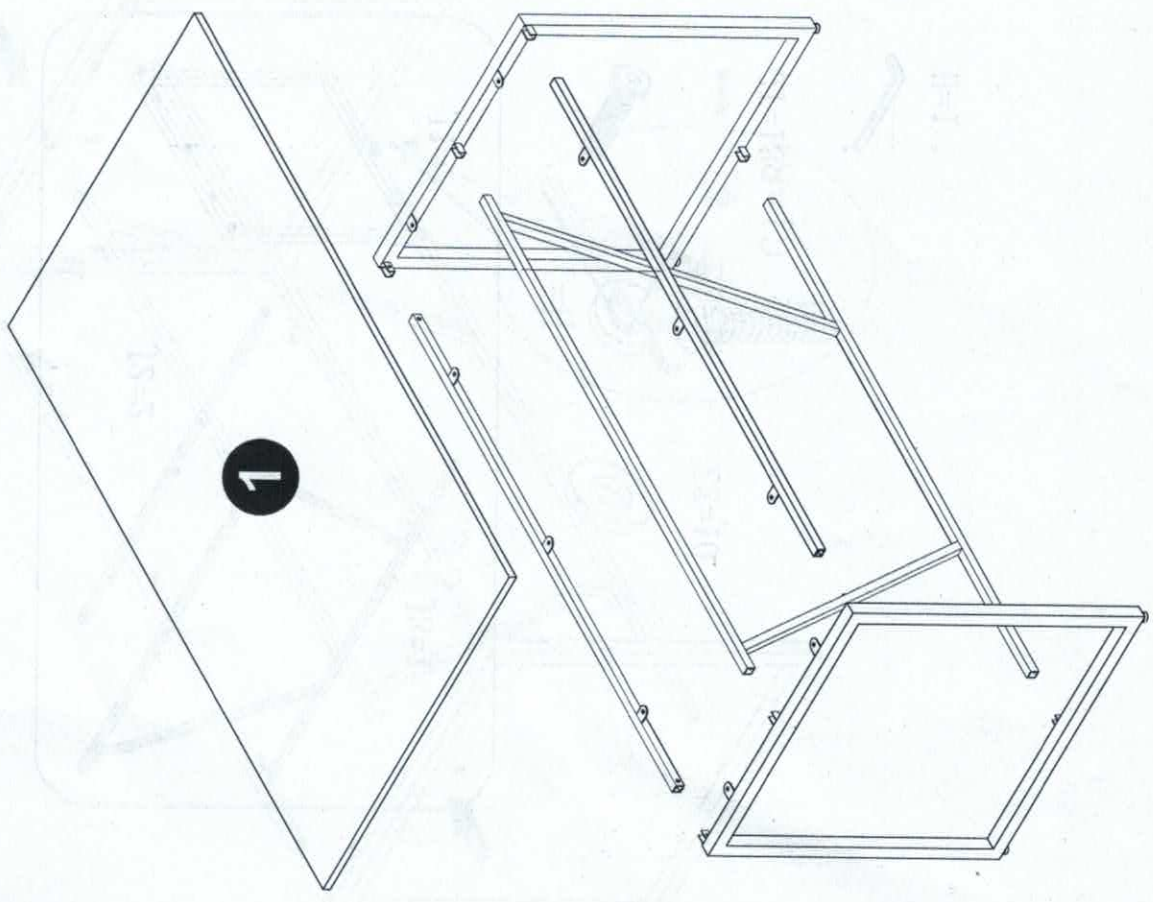


# Assembly Instruction



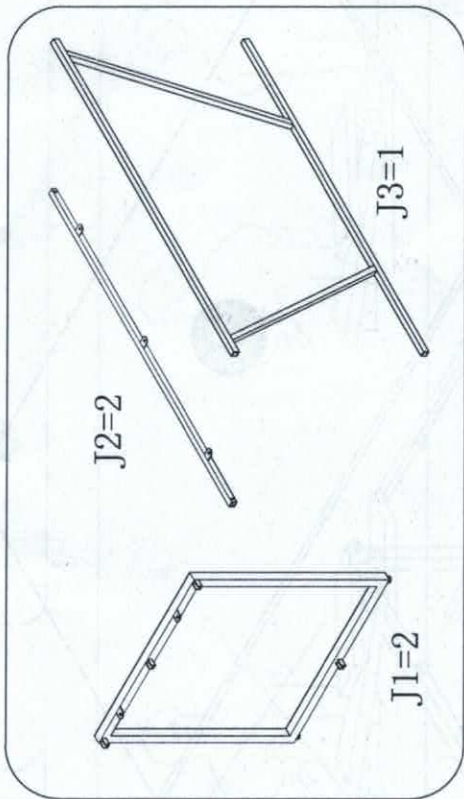
Fixings

| Panel No | Panel Sizes | Quantity |
|----------|-------------|----------|
| 1        | 1600*900*18 | 1        |



# Fittings

1



M6\*16



Z1=10



Z2=10



H=1

